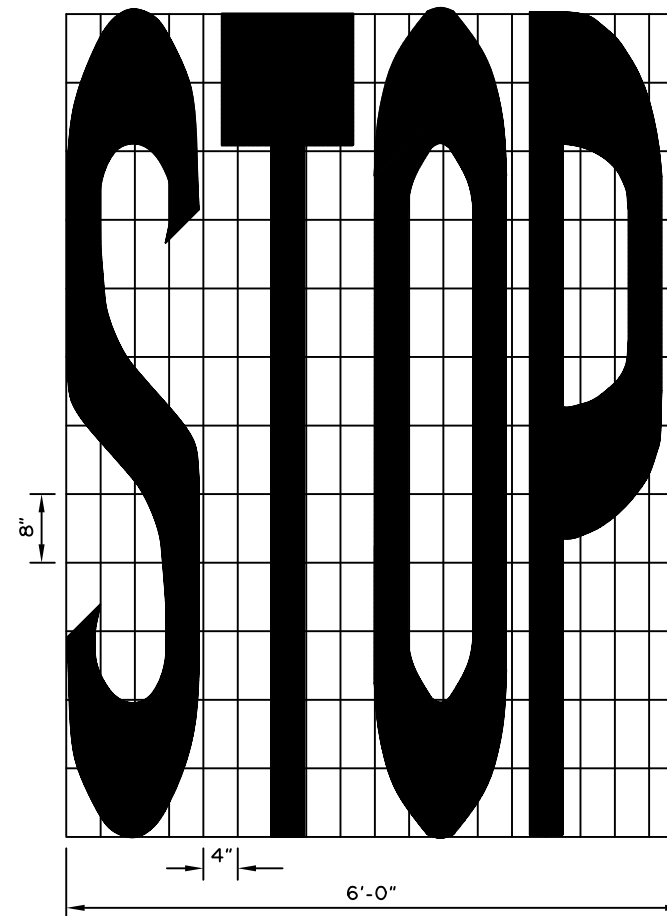
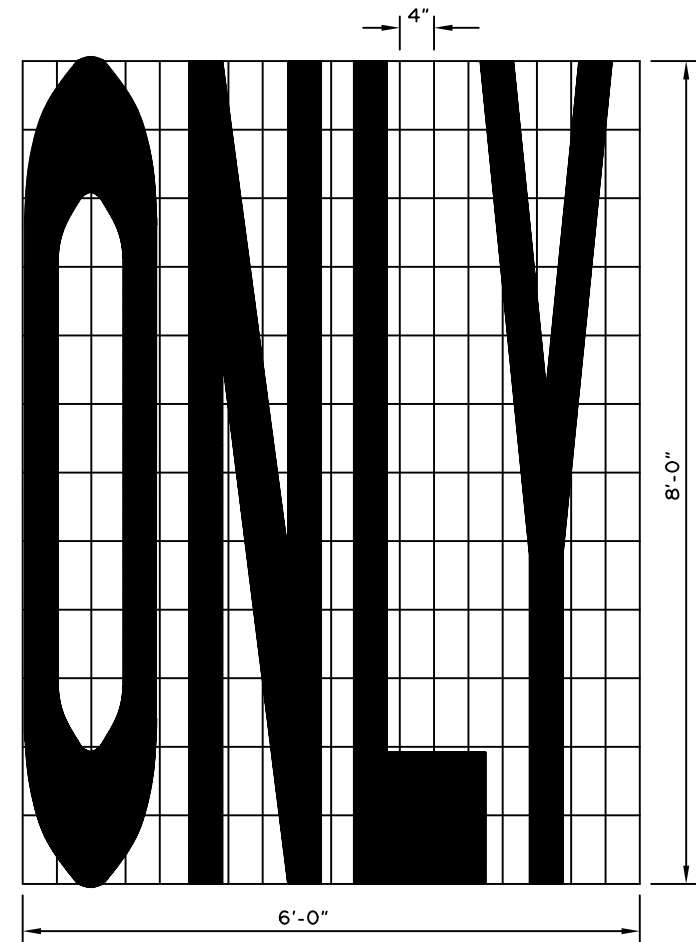
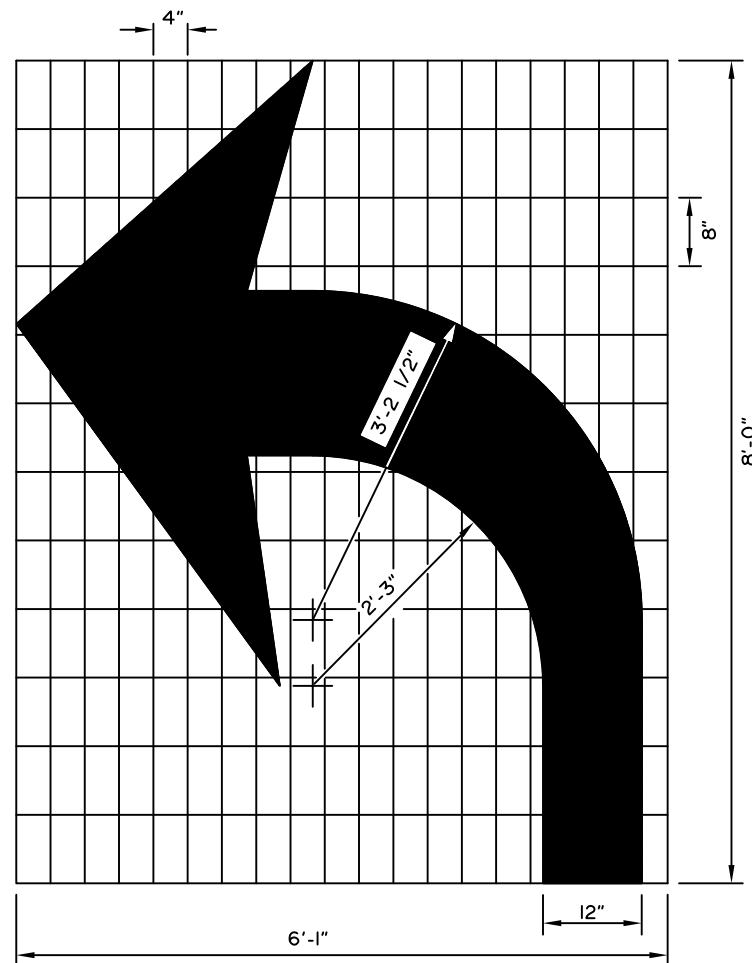


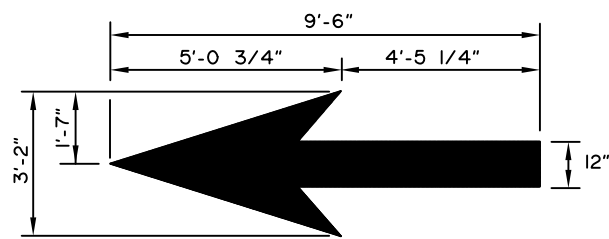
GENERAL NOTES:

1. All symbols shown shall be white and reflectorized in accordance with the Special Provisions.
2. See the Alaska Sign Design Specifications (ASDS) for lettering and symbols for pavement marking details not provided on this drawing.

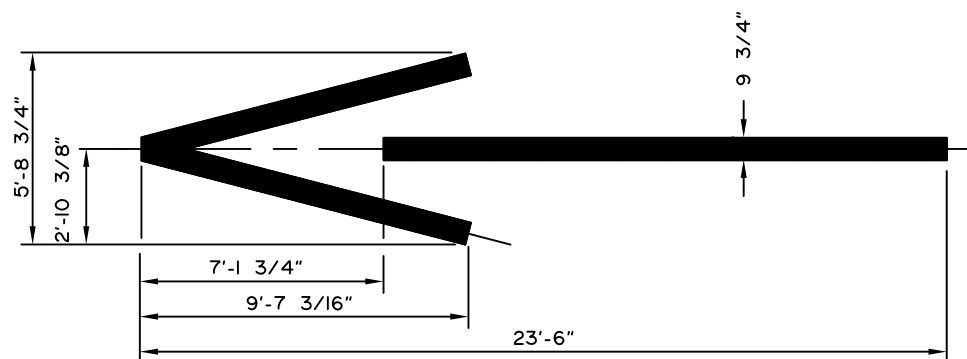


Right turn auxiliary lane usage markings identical except arrow symbol is reversed.

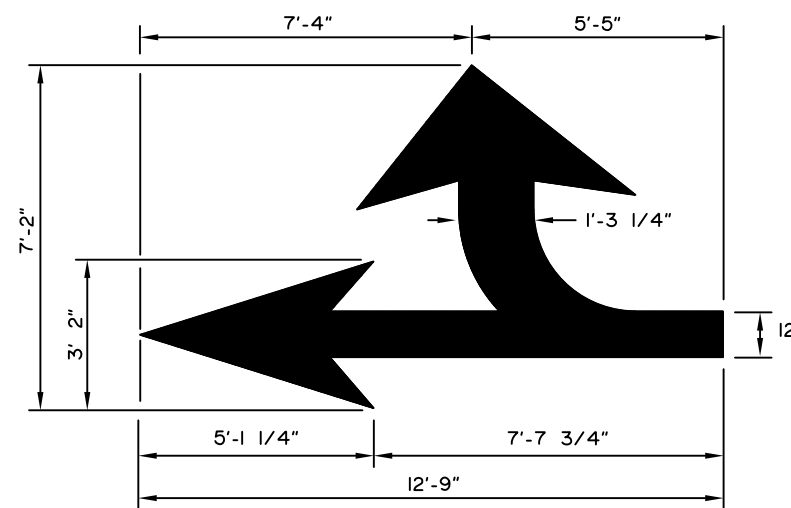
LAYOUT TEMPLATES FOR STENCILS



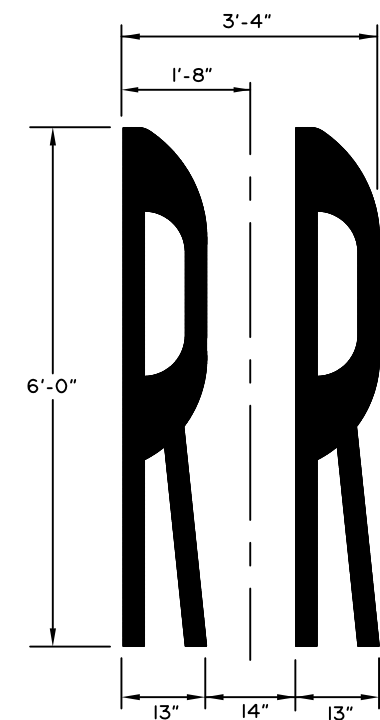
STRAIGHT AHEAD ARROW



WRONG WAY ARROW



COMBINATION ARROW



RAILROAD SYMBOL

State of Alaska DOT&PF
ALASKA STANDARD PLAN
PAVEMENT MARKING
SYMBOL DIMENSIONS

Adopted as an Alaska
Standard Plan by: *Kenneth J. Fisher*
Kenneth J. Fisher, P.E.
Chief Engineer

Adoption Date: 02/08/2019

Last Code and Stds. Review
By: Date:

Next Code and Standards Review date: 02/08/2029